

Data sheet

Commercial Art.No.: Z5.540.3225.0

PCB pin header 8142... /2 90° D1.3/1.3

PCB pin header, 2 poles, pitch: 5 mm, type of packing: carton, color: grey



Certificates / Approvals



Technical data

General

Modular spacing	5 mm
Soldering process	Wave soldering
Packaging	Carton
Number of poles	2
Number of levels	1
Marking	No
Fastening	None
Mating direction towards (circuit) board	180°

Technical data

Rated current	8 A
Overvoltage Category I	1000 V
Overvoltage Category II	250 V
Overvoltage Category III	200
Rated impulse voltage	4 kV

Technical Data UL/CSA

Voltage UL	300 V
Current field wiring	15 A
Current factory wiring	15 A
Voltage CSA	300 V
Current CSA	15 A

Other

Type of insulation material	Thermoplastic
Color	black
Height	14.5 mm
Length	10 mm
Depth	2.7 mm
Material contact base	CuZn

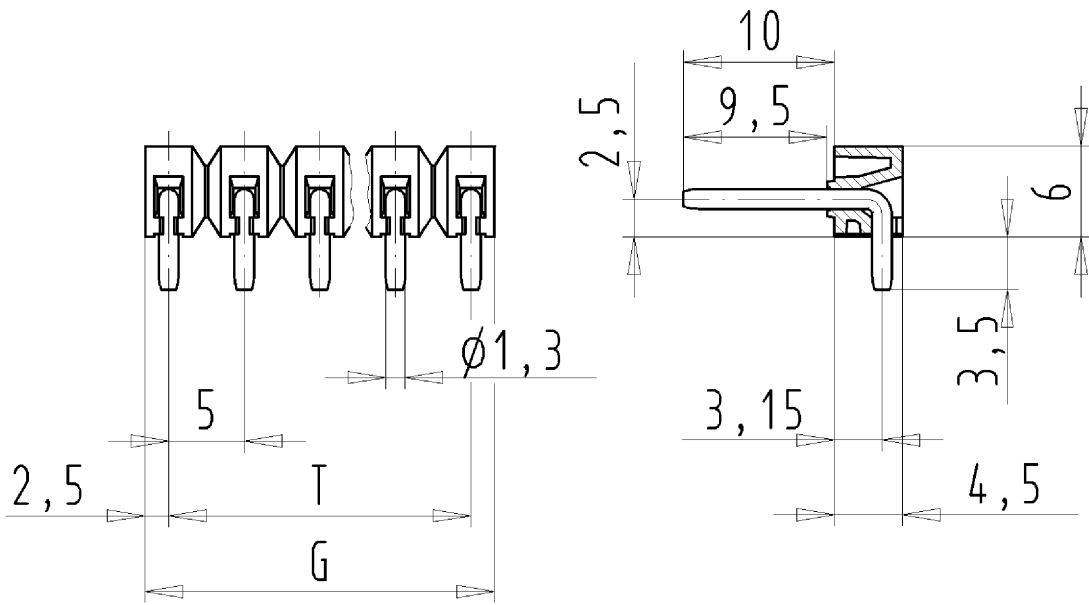
Material contact surface	Sn
--------------------------	----

Classification

ECLASS 11	
ECLASS 8.1	27440402
ETIM 7.0	EC002637
ETIM 6.0	EC002637
ETIM 5.0	EC002637
ETIM 4.0	EC002637

Product compliance

ROHS conformity status	Compliant
REACH-SVHC conformity status	Compliant



für folgende Tabellen-Zchnng.
 Z5.540.5425.0 Stiftleiste W für 8142

LP.STIFTLAISTE
 Z5.540.3225.0 10W
 06.11.2007 DÜT
 M 2:1